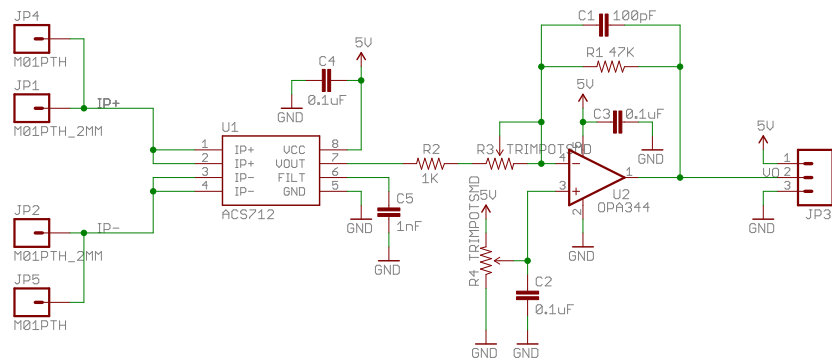


Note 1: R4 turns clockwise to increase output reference voltage
 Note 2: R3 turns counter-clockwise to increase gain
 Note 3: Remove C1 for full 80KHz bandwidth



Changes to v13
 -Updated library to increase anular rings and use new trimpot package

Changes to v14
 -changed via drills to 20 mil to close up mask

SFE	
TITLE: SparkFun_ACS712LowCurrentSensorBoard_v14a	
Document Number:	REV: v14
Date: 3/1/2016 1:23:36 PM	Sheet: 1/1